

Poseidon 2250

Ethernet SNMP monitor of sensors and dry contacts, logging, SMS alerts

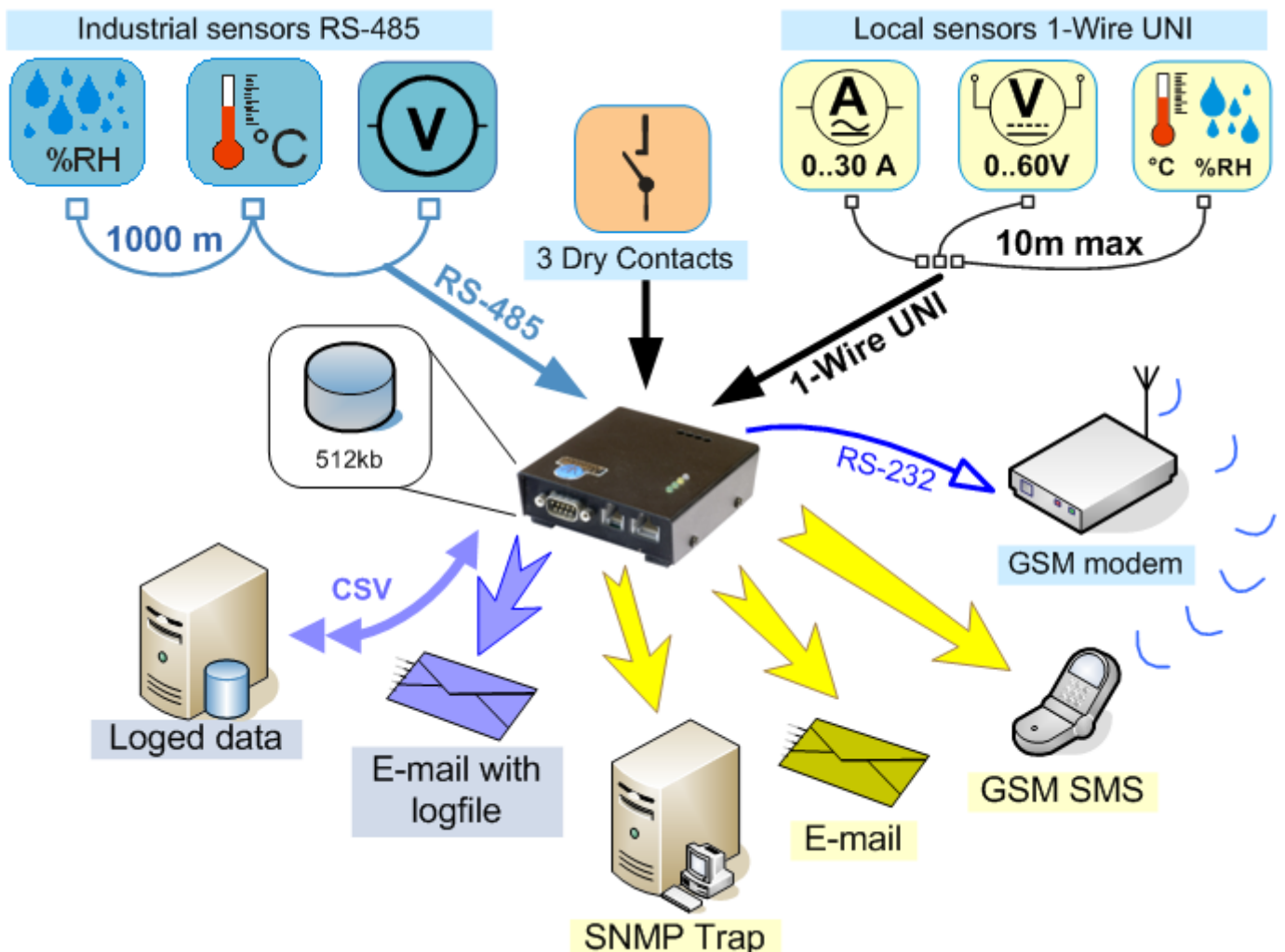
Poseidon 2250 logs the values from connected sensors to its internal Flash memory. Stored values can be periodically e-mailed, imported to a database, or exported to MS Excel. Sensors are connected over two bus types.

Alerts to critical situations (value out of range) are sent by e-mail, SMS, or SNMP trap.

SMS alerts are sent using an external GSM modem. Computer network is not necessary.



- ✓ Supports **GSM modem** (RS-232) for **SMS**
- ✓ **3 dry contact** inputs
- ✓ **1-Wire UNI bus** – Up to 10 probes with RJ11 connection, max total distance 10m
- ✓ **RS-485 bus** – Up to 26 industrial sensors with RJ45 connection, max total distance 1,000m



Basic features

- Built-in **web interface**
- Supports SNMP, SNMP Trap
- Supports **1-Wire UNI** bus (RJ11)
- Supports **RS-485** industrial bus (RJ45)
- **Log file** e-mailed as CVS attachments in specified intervals (once every 4 hours by default)
- **Alarm alerts:** Email, SMS, SNMP Trap
- **For programmers:** HWg-SDK (Software Development Kit) contains libraries and examples
- **Industries:** Works with most SCADA systems
- **IT applications:** Poseidon is supported by all SNMP based systems (Nagios, The Dude, Zabbix, IBM Tivoli, HP OpenView and more)

Poseidon 2250

- **Inputs** (relay contacts): **3**
- **Outputs** (via RS-232): **2**
- **Sensors**
 - **1-Wire bus** (local area): **10**
 - **RS-485 bus** (up to 1000m): **26**
- **SNMP:** **Yes**
- Alarm alerts by e-mail: **Yes**
- Internal flash logger: **Yes**
- **GSM modem** (SMS alerts): **Yes**

Sensors

Voltage (0..10V, 110/230V)	Air flow	Vibrations and tilt
Current (0...20mA, 0..30A)	Motion and position	Door closed/open
Temperature (indoor / outdoor)	Smoke and gases	Any dry contact
Humidity (optional display)	Water leak	Energy consumption (kWh)

Parameters

Network communication protocols

- Web (HTML)
- SNMP (v1 and v2)
- XML
- Modbus/TCP
- HTTP GET (CSV / RAW data)
- NTP (time sync)
- SMTP (Email, log with data)

Configuration

- WEB (Flash Setup)
- TELNET (TCP Setup)
- UDP broadcast (UDP Setup)

Sensors (data input)

- 3 digital inputs (dry contacts)
- 10 probes for 1-Wire UNI (RJ11)
- 26 sensors for RS-485 (RJ45)

Alarm alerts:

- E-mail
- SMS (GSM modem over RS-232)
- SNMP trap

Outputs

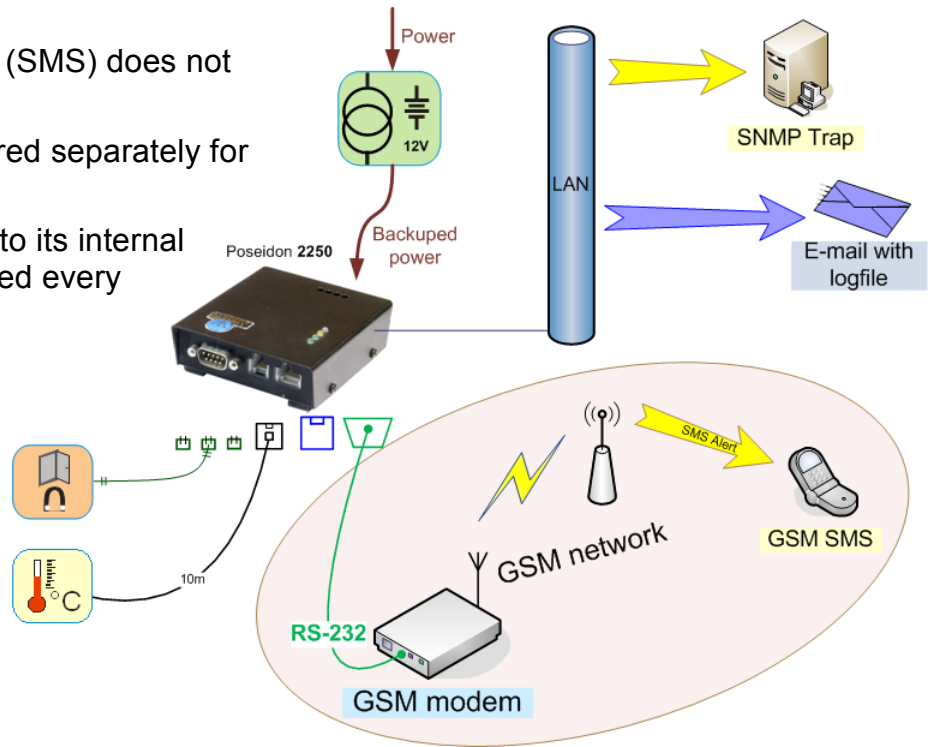
- 2 outputs to control relays (via RS-232)

Product ordering numbers		
600 183	Poseidon 2250	Poseidon 2250 plain model, without accessories
600 420	Poseidon 2250 Tset	StartUp package: Poseidon 2250, temperature probe, CD, EU power adaptor
600 421	Poseidon 2250 GSM Tset	StartUp package: Poseidon 2250, temperature probe 3m, GSM modem G10, CD with software, EU wall plug power adaptor

Applications

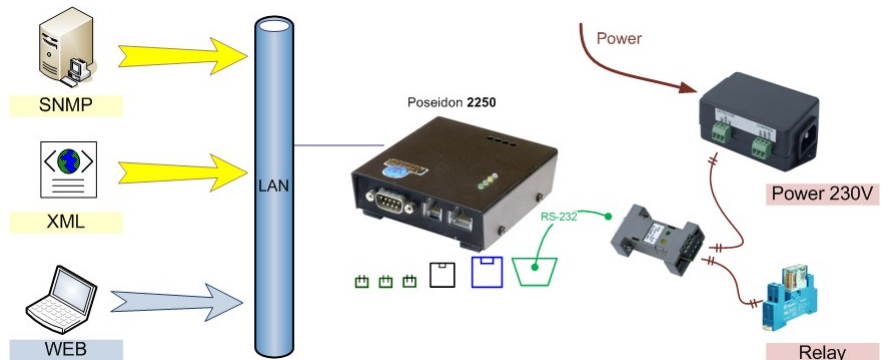
Alert redirection to GSM

- Transmission of text messages (SMS) does not depend on LAN, only on power
- Alert thresholds can be configured separately for each probe
- Poseidon 2250 logs the values to its internal memory. The log can be e-mailed every hour.



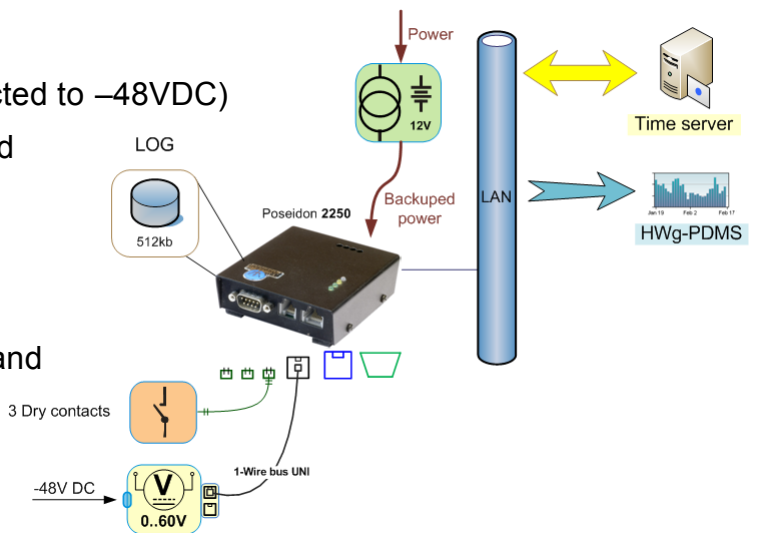
Control of outputs

- RS-232 outputs can be controlled from a PC over the Web
- Outputs can be controlled over XML, SNMP (write) or Modbus/TCP
- Outputs can control relays or PowerEgg units



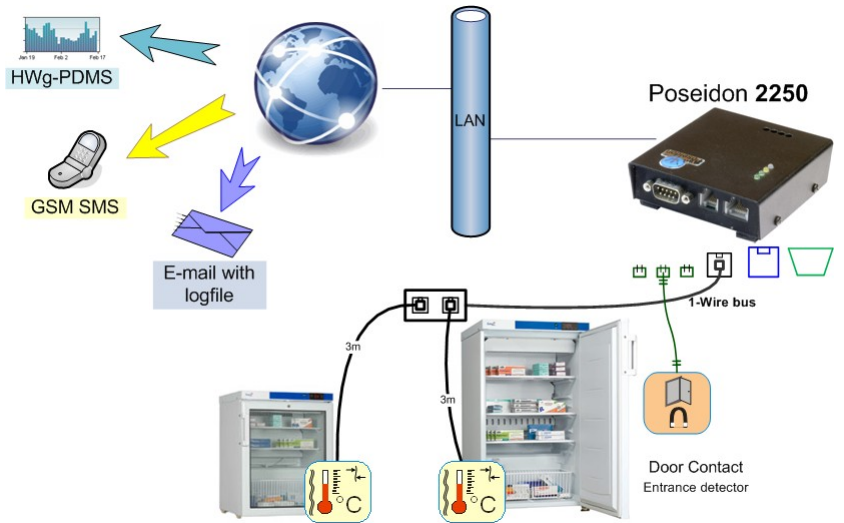
Battery voltage logging

- Logs battery voltage (voltage probe connected to -48VDC)
- States of inputs and outputs are also logged
- Time is synchronized from a NTP server
- Values can be retrieved in a .CSV file
- Graphs can be plotted e.g. in CapTemp
- HWg-PDMS can receive the log by e-mail and export the data to MS Excel



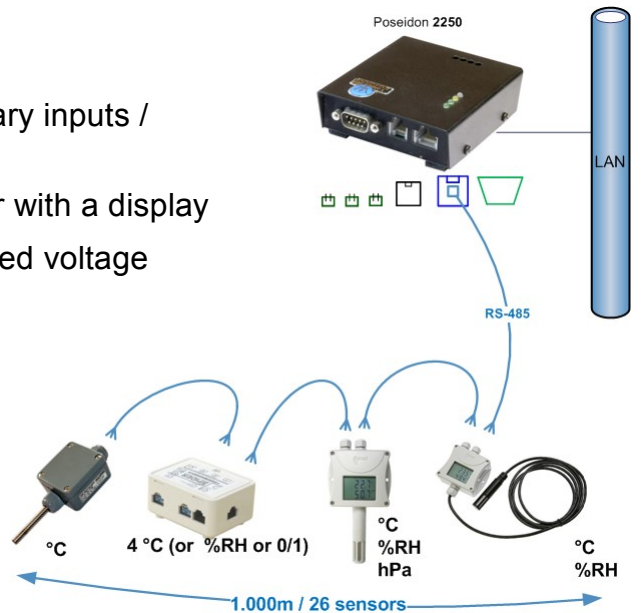
Monitoring of coolers in a pharmacy

- To measure temperature in coolers, we recommend the stainless-steel “FLAT” probe. The flat cable can be routed through the cooler door sealing.
- A complete, pre-configured Poseidon 2250 system with sensors can be sent by mail as a package. Data are e-mailed to a central server (the device may be located behind a NAT).



RS-485 sensors, up to 1000m away

- RS-485 is suitable for industrial environments
- RS-485 can be used to connect a Spider unit (4 binary inputs / temperature and humidity probes)
- We offer a RS-485 temperature and humidity sensor with a display
- RS-485 can be used to connect an electrically isolated voltage (0..15V) and current (0..20mA) probe
- Ideal for environment monitoring:
 - Telco buildings
 - Warehouses
 - Supermarkets



Industrial sensors that can be connected to Poseidon 2250

	<p>30A Current probe 1W-UNI 600 437 – Current probe with a clamp-on transformer</p>		<p>HTemp-485 Box2 600 343 – Wall-mountable temperature and humidity probe</p>
	<p>Sens-1W-UDI86 600 432 – Eight analog inputs (0..15V) and six dry contact inputs</p>		<p>Spider 600 273 – Connects four 1-Wire probes to the RS-485 bus</p>
	<p>Temp-485-Pt100 “Cable” 600 114 – Temperature sensor, external Pt100 probe on a 2m cable</p>		<p>Temp-485-2xPt100 “DIN” 600 112 – Connects two Pt100 sensors to the RS-485 bus</p>
	<p>HWg HTemp-485 T3419 600 369 – Temp and humidity sensor with display, external probe (1m)</p>		<p>Temp-485-Pt100 “Frost” 600 309 – Probe for extremely low temperatures, down to –190°C</p>