

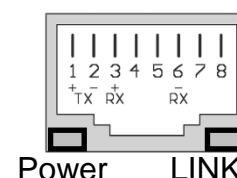
# Poseidon 3266 – Specification



## Connectors and LEDs

**Power** – green (RJ-45 connector)..... External power connected

**LINK** – yellow (RJ-45 connector)..... Ethernet interface activity



## Parameters

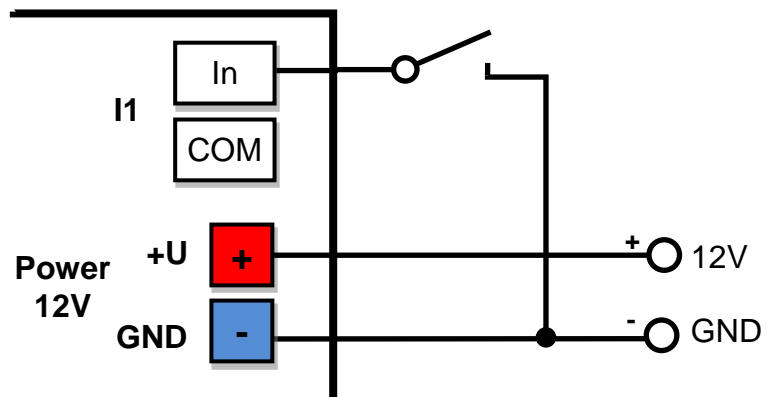
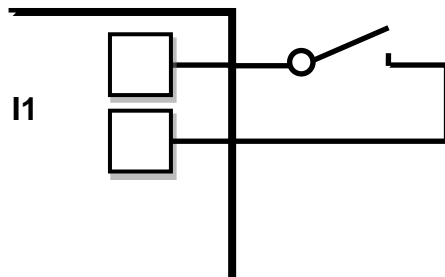
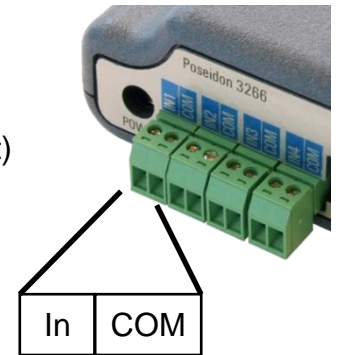
- **Ethernet:** RJ45 – 10BASE-T/10 Mbps
- **Communication:** WEB, SNMP, XML, SMTP, ModBus/TCP
  - netGSM (sending SMS through external SMS GW)
  - DHCP is supported by older FW (without netGSM support)
- **1 sensor input:** RJ11 ports for connecting 1-Wire probes (temperature & humidity only)
  - **Up to 5 connected sensors in total** (using T-Box splitter or daisy-chained sensors)
- **4 digital inputs:** Dry contact inputs (voltage-free)
- **Configuration DIP switches**
  - DIP1: Restores factory defaults when 3x toggled within 5 seconds after power up
  - DIP2: Prevents configuration changes
- **Device features**
  - **Alarm** when a preset threshold is exceeded
  - **Remote monitoring** of input states and temperature/humidity sensors
- **Power supply:** +12V / 250 mA
- **Dimensions:** 35 x 102 x 77 [mm]
- **LED indicators:** Power, LINK, STATUS, ALARM

<b>ETHERNET</b>	
Interface	RJ45 (10BASE-T) – 10 Mbps or 10/100 Mbps network compatible
Supported protocols	IP: ARP, TCP/IP (HTTP, Modbus over TCP, NTP, SMTP), UDP/IP (SNMP), netGSM or DHCP
SNMP compatibility	Ver.1.00 compatible, partial ver.2.0 implementation
<b>SENSORS</b>	
Type	HWg original accessories: 1-Wire only (temperature & humidity probes)
Connector	RJ11 (1-Wire Bus)
Sensors	Up to 5 sensors in total (temperature+humidity combo sensors count as 2 sensors)
Sensor distance	Up to 60m
<b>DRY CONTACT INPUTS</b>	
Port	I1, I2, I3, I4
Type	Digital Input (supports NO/NC Dry contact)
Sensitivity	1 (On) = 0-500 $\Omega$ (Right pin on the terminal block can be connected to 12V GND)
Max. distance	Up to 50m
<b>POWER input</b>	
Port	POWER 9-15V DC
Type	Main device power input (typically 250 mA)
Connector	Jack (barrel, inner 2.5 mm outer 6.3 mm)
<b>LED Status indicators</b>	
POWER (RJ45)	Green - power OK
LINK & Activity (RJ45)	Yellow - Ethernet connectivity
<b>DIP SWITCH</b>	
DIP1: Setup	ON = RS-232 Setup mode over serial port (RS-232 mode only) <b>Load defaults:</b> Set ON, power-up device, toggle 3 times during first 5 seconds to load defaults
DIP2: Security	ON = Security mode - remote configuration disabled OFF = Non-secure mode - remote configuration enabled
<b>Physical parameters</b>	
Temperature range	Operating: -10 to +65 °C (+14 to +150 °F) / Storage: -25 to +85 °C (-13 to +185 °F)
Dimensions / Weight	35 x 102 x 77 [mm] / 150 g
EMC	FCC Part 15, Class B, CE - EN 55022, EN 55024, EN 61000

## Dry contact inputs

Digital input terminals may be connected to voltage-free contacts or the GND pin. The inputs are electrically connected to the 12V power supply. Never connect the inputs to the 48V supply voltage!

- Unconnected inputs read as “**0 (Off)**”
- Active inputs read as “**1 (On)**”
- **Supported sensors:** Any contact without external voltage (dry contact)
- **Polling period:** 800 ms
- **Range of sensor IDs:** Inputs use IDs from 1 to 4



## M2M interface

This product can be used with third-party SW applications.

For a description of the interfaces (XML format, detailed description of SNMP, mapping of Modbus/TCP variables), see the detailed “**Poseidon family**” manual.

- **XML** (over HTTP)
- **SNMP**, SNMP traps
- **Modbus/TCP**
- **SMTP** (E-mail)

### TIP

- For a detailed description of the **M2M** interfaces and interfacing details, see the **detailed Poseidon family manual**.

## SDK (Software Development Kit)

Programmers can take advantage of the **HWg SDK** (Software Development Kit) with an ActiveX interface and ready-made examples.

- VB - **Visual Basic (6.0)** - (3xx examples)
- Borland C++ (1xx examples)
- Microsoft Visual C++ (2xx examples)
- C# / .NET (5xx examples)
- Borland Delphi (4xx examples)
- JAVA
- PHP / ASP
- **other** examples that do not directly use SDK functions (all 9xx examples)

